

Ethernet Current Injector

Ethernet Current Injector

PoE

The PoE (Power over Ethernet) current injector is a compact and economical solution to power NTP products from the Ethernet network if it is not already IP PoE compatible.

The injector automatically detects and protects Ethernet PoE terminals. It eliminates the need of external power source by providing a compact power supply that is reliable on an existing Ethernet infrastructure.

It is compatible with the following Bodet products: Cristalys, Opalys, Style and Profil clocks.

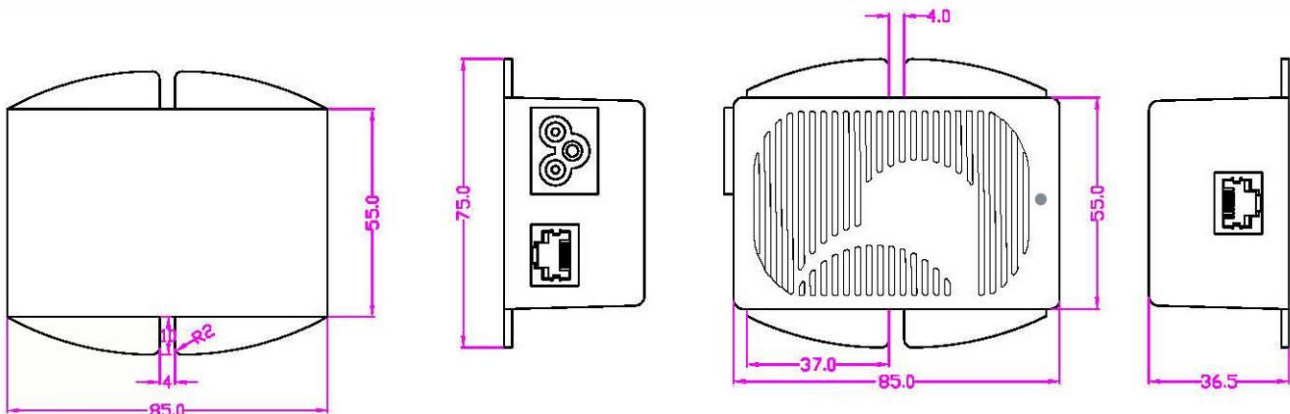


General Characteristics:

- ▶ Input power source: 90-264V AC, 50-60Hz
- ▶ Consumption <0.4 A at 110 VAC
- ▶ Output voltage: 48 VDC.
- ▶ Output current: 0,32 A
- ▶ Comes with power cord.
- ▶ Operating temperature: from -0°C to +60°C.
- ▶ Grey ABS housing.
- ▶ Weight: 0,15 Kg.



- ▶ Overall dimensions:



A bicolour LED turning green indicates the proper detection of the PoE product

Reference:

- ▶ PoE Injector 15W

927223



Ref. 643E61 A