

Antenna

DCF antenna

The DCF receiver picks up the amplitude modulated time signals transmitted by the DCF transmitter based in Mainfligen (Germany). Signals are received over a large part of Europe. The time code includes hour, minute, day, date and a synchronizing pulse. This antenna automatically ensures the summer / winter time changeovers and guarantee absolute accuracy. A daily time code reception of a few minutes is sufficient to maintain the clock synchronisation.



Technical features :

- ▶ 77,5 KHz receiver.
- ▶ Power supply : 8-20VDC.
- ▶ Connection with a single 2-wire cable section 0,25mm²
- ▶ 5-m cable provided with the antenna.
- ▶ Cable can be extended locally (max. 50 m)
- ▶ Grey ABS casing with integrated wall support
- ▶ Fixing with the Ø4 mm screw supplied
- ▶ Operating temperature : -20°C à +50°C.
- ▶ Storage temperature : -40°C à +70°C.
- ▶ Protection index : IP53 – IK04.
- ▶ Weight : 170 g.

Operation :

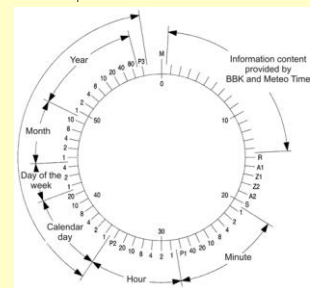
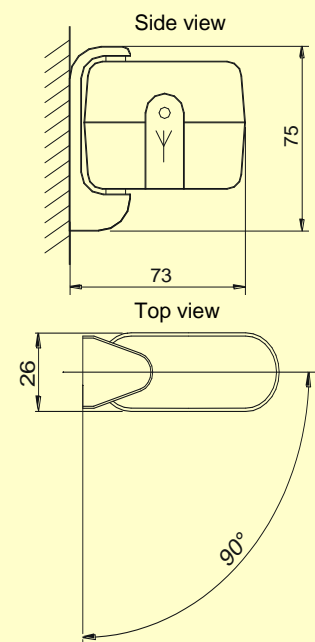
- ▶ A green LED indicates the status of the DCF antenna.
- ▶ The LED is blinking every second when the antenna is synchronized.
- ▶ The LED is blinking fast when the antenna is not synchronized.
- ▶ The LED is off when the antenna is not supply with power.

Norms :

- ▶ Radio standard : EN 300-220-3
- ▶ EMC standard for radio devices : EN 301-489-3
- ▶ Safety standard : EN 60950.



Dimensions in mm



Reference :

- ▶ DCF antenna

907 026.



Réf. 643 151 C