

Antenna

FI antenna

FI 162

The FI antenna is aimed to ensure a perfect time synchronisation for clock systems thanks to radio time code reception.

The FI antenna picks up the time code transmitted from the France Inter longwave transmitter located in central France (Allouis).

The time code includes the hour, minute, day, date and synchronising signal data (Central European time)

It ensures automatically the summer/winter changeovers and guarantees absolute accuracy.



Technical features:

- ▶ Radio frequency: 162 KHz.
- ▶ Antenna connection to the clock by a 2-wire cable for power supply and data.
- ▶ 5-m cable supplied.
- ▶ Grey ABS casing with swivelling support.
- ▶ Fixing with 1 screw Ø 4 mm.
- ▶ Operating temperature: -20°C to +50°C.
- ▶ Storage temperature : -40°C to +85°C.
- ▶ Protection index: IP53 – IK04.
- ▶ Weight: 170 g.

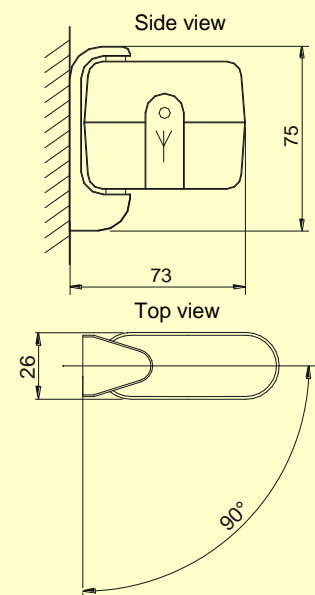
Operation:

- ▶ Red LED indicates the antenna status.
- ▶ Red LED flashing once per second: synchronised.
- ▶ Red LED flashing quickly and stopping regularly: not yet synchronised.
- ▶ Red LED off: antenna not supplied with power.

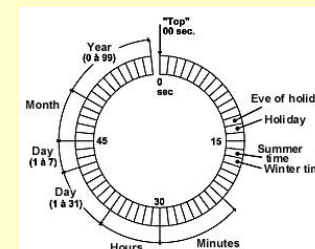
Norms :

- ▶ Radio : EN 300-220-3
- ▶ EMC of radio devices : EN 301-489-3
- ▶ Safety : EN 60950.

Dimensions in mm



Time message content :



Reference :

- ▶ FI antenna

907 025.



Réf. 643 141 B