

# Digital clock

## Digital clock

## Style 12S

### Description :

- ▶ Led clock for indoor or outdoor installation.
- ▶ Hour - minute - second display.
- ▶ Fixed time, fixed temperature or alternate time and temperature or timer hour - minute - second with the optional timer control unit (count up and down, split time, preselect).
- ▶ Height of digit 12 cm, readability 40 metres.
- ▶ Diode colours: red, yellow.
- ▶ Models: independent / 24V minute impulse receiver, IRIG-B/AFNOR coded time receiver, wireless DHF receiver or radio synchronised (FI or DCF signal).



### Technical features:

- ▶ Injected ABS case black with diffusing filter for outdoor model.
- ▶ Adjustable brightness on 4 levels for indoor model and by automatic photo cell on outdoor model.
- ▶ Angle of vision 120°.
- ▶ Protection index IP51, IK07 for indoor model and IP53, IK07 for outdoor model.
- ▶ 24 hour display mode.
- ▶ Data saving for 3 days.
- ▶ Accuracy of the time quartz base: 0.2 second/day.
- ▶ Silent operation.
- ▶ Programming and time setting through 2 buttons.
- ▶ Digit made of 7 segments with 9 LED each for hour – minute and 7 segments with 7 LED each for second.
- ▶ Power supply 230V ±10%, 50/60 Hz.
- ▶ Consumption: 85 mA.
- ▶ Electric protection: class 1.
- ▶ Operating temperature: from 0 to 50°C for indoor model and from -40 to 70°C for outdoor model.
- ▶ Temperature display from -55°C to +99°C.
- ▶ Display resolution: 1°C. Accuracy: +0,5°C.
- ▶ Offset adjustment, possible from - 9° to + 9°.
- ▶ Weight: 6.3 Kg.

### Norms:

- ▶ Norm NF EN50081-1: generic emission standard.
- ▶ Norm NF EN50082-1: generic immunity standard.
- ▶ Norm NF EN60950: safety of information technology equipment.
- ▶ Norm NF EN300-220-3: radio equipment standard.
- ▶ Norm NF EN301-489-3: EMC standard for radio equipment.

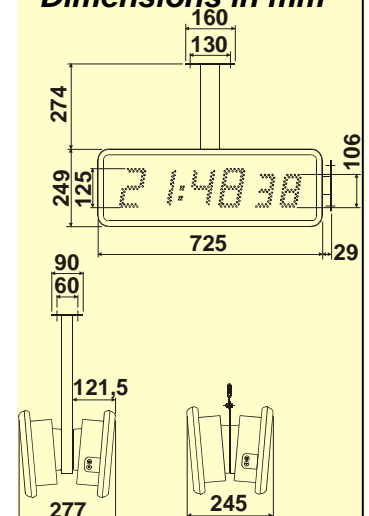
### Mounting Accessories:

- ▶ Single or double sided bracket 935 001
- ▶ Double sided chain bracket 935 002
- ▶ Desktop support 935 003
- ▶ Wiring kit for double sided 935 012
- ▶ Temperature probe with 5 metres cable 935 011
- ▶ Timer control unit for counting up or down 936 400

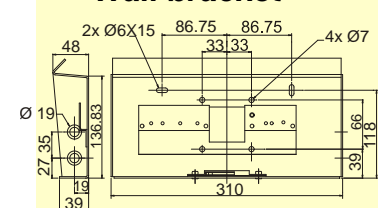
### Led colours



### Dimensions in mm



### Wall bracket



### Style 12S references

	Indoor	Outdoor
▶ Independent / impulse receiver	935 211	935 411
▶ IRIG-B/AFNOR coded time receiver	935 221	935 421
▶ Radio synchronised FI signal	935 251	935 451
▶ Radio synchronised DCF signal	935 261	935 461
▶ Wireless DHF receiver	935 271	935 471

Indicate Led colour by choosing the last number of the reference: red (1), yellow (3).

