

Technical features

Digital clock

Style 5

Description :

- ▶ Led clock for indoor installation.
- ▶ Hour - minute display.
- ▶ Fixed or alternated time with date or week number display.
- ▶ Height of digit 5 cm, readability 20 metres.
- ▶ Led colours: red, green, yellow, blue.
- ▶ Models: independent / 24V minute impulse receiver, IRIG-B/AFNOR coded time receiver, or wireless DHF.



Technical features :

- ▶ Injected ABS case black (IP30) with diffusing filter.
- ▶ Adjustable brightness (4 levels).
- ▶ Angle of vision 120°.
- ▶ 12 or 24 hour display mode.
- ▶ Automatic summer/winter time changeover and perpetual calendar.
- ▶ Data saving for 7 days.
- ▶ Accuracy of the time quartz base : 0,2 second/day.
- ▶ Silent operation.
- ▶ Programming and time setting through 2 buttons.
- ▶ Digit made of 7 segments with 3 Led each.
- ▶ Power supply 230V ±10%, 50/60 Hz.
- ▶ Consumption: 40 mA.
- ▶ Operating temperature: from -5 to 50°C.
- ▶ Weight: 0,8 Kg.

Norms :

- ▶ Norm NF EN50081-1 : generic emission standard.
- ▶ Norm NF EN50082-1 : generic immunity standard.
- ▶ Norm NF EN60950 : safety of information technology equipment.

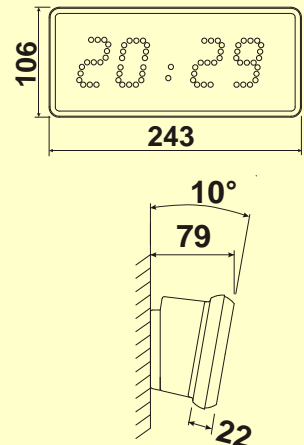
Mounting Accessories :

- | | |
|--|----------|
| ▶ Double sided bracket | 936 300 |
| ▶ Single sided bracket | 936 301 |
| ▶ Table holder | 936 303 |
| ▶ Wall plate for recessed mounting (white) | 936 304B |

Led colours



Dimensions in mm



Style 5 references

- | | |
|---|---------|
| ▶ Independent / 24V minute impulse receiver | 936 311 |
| ▶ IRIG B/AFNOR coded time receiver | 936 321 |
| ▶ Wireless DHF coded time receiver | 936 371 |

Indicate Led colour by choosing the last number of the reference: red (1), green (2), yellow (3), blue (4).

