

# Technical features

## Digital clock

Cristalys 7

### Description :

- ▶ Indoor clock with liquid crystal display (LCD).
- ▶ Fixed or alternate hour with date or week number.
- ▶ Extra flat casing.
- ▶ Readability 25 metres, angle of vision 160°.
- ▶ Power supply with 2 LR 14 batteries for an autonomy over 3 years or PoE (Power over Ethernet) for NTP version.
- ▶ 4 casing colours : aluminium, white, burgundy, champagne.
- ▶ Versions : independent quartz, radio synchronised (FI or DCF), DHF receiver, impulse slave movement, IRIG B/AFNOR coded time receiver or NTP receiver.



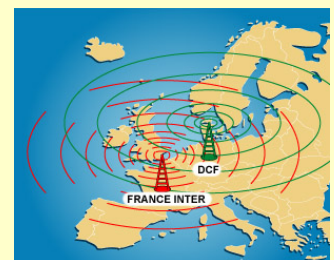
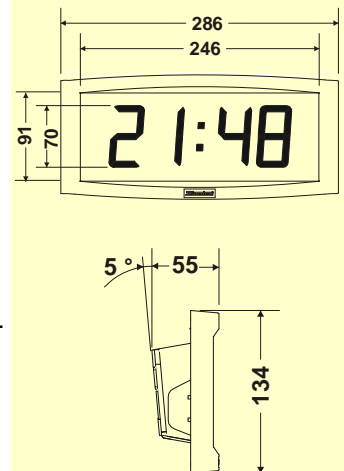
### Technical features :

- ▶ Eco function providing energy savings through switching off display between 23.00 and 6.00.
- ▶ 12 or 24 hour display mode.
- ▶ Automatic summer/winter time changeover and perpetual calendar with multi-time zones.
- ▶ Permanent data saving.
- ▶ Accuracy of the time quartz base : 0,2 second/day.
- ▶ Absolute time accuracy with optional radio synchronisation.
- ▶ ABS casing, IP40.
- ▶ Silent operation.
- ▶ Programming and time setting through 2 buttons.
- ▶ Optional very low voltage power supply from 6 to 24V AC/DC (or external 230V).
- ▶ Operating temperature : from 0 to 50°C.
- ▶ Humidity : 80% at 40°C.
- ▶ Weight : 0,7 Kg.

### Norms :

- ▶ Norm NF EN50081-1 : generic emission standard.
- ▶ Norm NF EN50082-1 : generic immunity standard.
- ▶ Norm NF EN60950 : safety of information technology equipment.

### Dimensions in mm



France Inter and  
DCF transmitter

### Cristalys 7 references

- |  |         |
|--|---------|
| ▶ Independent quartz   | 938 111 |
| ▶ Radio synchronised France Inter  | 938 121 |
| ▶ Radio synchronised DCF   | 938 123 |
| ▶ Slave movement on impulses or IRIG B/AFNOR receiver                    | 938 131 |
| ▶ Slave movement on impulses or IRIG B/AFNOR receiver (very low voltage) | 938 132 |
| ▶ DHF radio receiver   | 938 141 |
| ▶ NTP PoE receiver   | 938 163 |

Add to the reference: A for aluminium casing colour, B for white, C for champagne, D for burgundy.



# Technical features

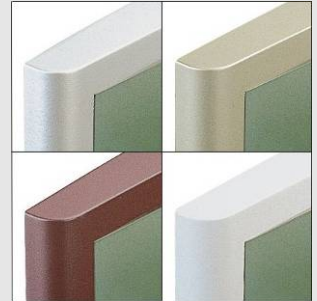
## Digital clock

## Cristalys 7



Cristalys 7  
on table support

4 casing colours:  
aluminium, champagne,  
burgundy, white



### Display modes :

- Hour only :     ▶ 12h mode, ❶  
                   ▶ 24h mode, ❷  
 or alternate with :   ▶ Day-Month (31 :12), ❸  
                           ▶ Month-Day (12 :31), ❹  
                           ▶ Year, ❺  
                           ▶ Week number, ❻.

### Movements and synchronisation:

#### Quartz movement

- ▶ The clock is totally independent, the time information comes from its own time basis.
- ▶ Automatic summer/winter time changeover.

#### DHF movement

- ▶ The clock is radio-synchronised by a DHF transmitter.
- ▶ Automatic summer/winter time changeover.

#### FI or DCF Radio synchronised movement

- ▶ The clock is independent, the time information comes from its own time basis which is rectified, in case of drift, by comparing it to the FI or DCF transmitter signal.
- ▶ The radio synchronisation permit to display the time with perfect accuracy.
- ▶ Automatic summer/winter time changeover.

#### IRIG B/AFNOR coded time receiver

- ▶ The coded time distribution consist in transmitting a complete time message each second : the setting on time of the receivers is realised automatically and speedily as soon as they are connected on the clock line.
- ▶ The IRIG B/AFNOR coded time does not transmit interference and is insensitive to other electrical interference.

#### 24V minute impulses receiver movement

- ▶ The receiver clocks are connected to a distribution line and activated by means of electrical impulses transmitted every minute by the master clock.

#### NTP PoE receiver

- ▶ A SNTP time server sends UTC time periodically on the Ethernet network. The clocks pick up the time messages, apply the relevant time zone and set themselves automatically to local time. PoE power is supplied to the clock through the network via the RJ45 plug.

❶



❷



❸



❹



❺



❻



### Accessories:

- |   |         |
|---|---------|
| ▶ Wall support (supplied)   | 202 266 |
| ▶ Table support   | 938 902 |
| ▶ Double sided bracket for wall or ceiling mounting   | 938 901 |
| ▶ Double sided bracket for wall or ceiling mounting (long length)   | 938 905 |
| ▶ Single or double sided bracket specific length for wall or ceiling mounting (Please specify on the order the fixing mode (wall or ceiling) and the length between the top of the clock and the fixing point). | 938 908 |
| ▶ Support for very low voltage power supply   | 938 903 |
| ▶ Very low voltage power supply for Cristalys (Capacity : 20 clocks)  | 938 912 |

