

## Options and mounting accessories

■ Table or shelf bracket



Optional table bracket available for all models

■ Double sided bracket



Optional double sided bracket (wall or ceiling mounting)

■ Recessed mounting bracket



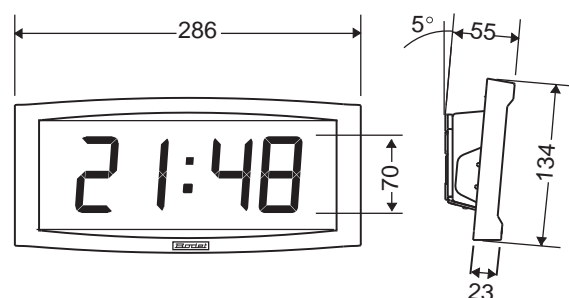
Optional recessed mounting available for *Cristalys 74*



# Cristalys

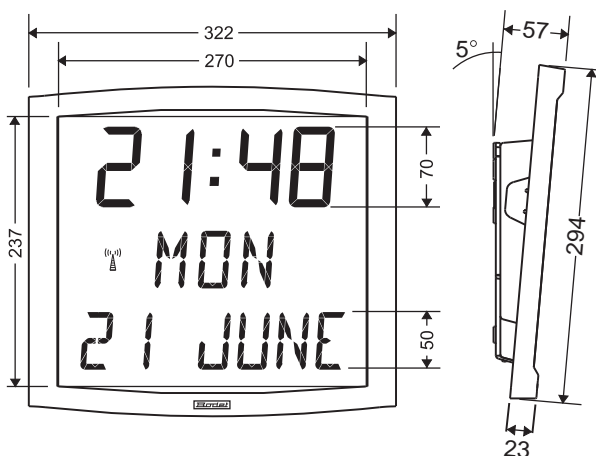
## Dimensions in mm

*Cristalys 7*

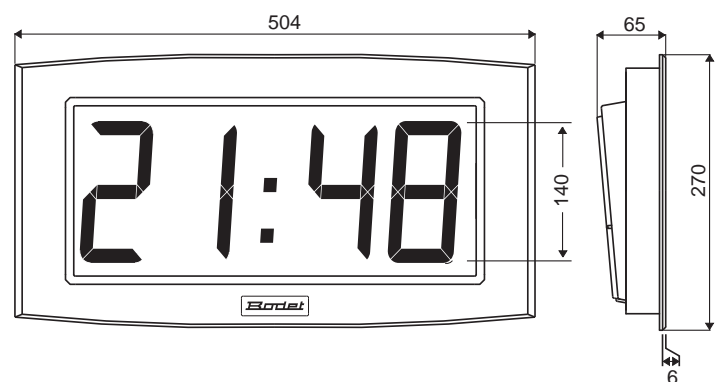


*Cristalys Date*

*Cristalys Ellipse*



*Cristalys 74*



LCD clock

**Bodet**

PO BOX 1  
49340 Trémentines  
FRANCE

Tel. (33) 2 41 71 72 00  
Fax (33) 2 41 71 72 02  
export@bodet.com  
www.bodet.com



Technical features and  
aesthetical aspects  
are subject to change  
without notice



Sprinkler - 02 41 55 05 35 - Ref. 653501 H0909

**Bodet**

## Technical features

*Cristalys*

### Futuristic design

- Interior wall clock with extra flat casing.
- LCD reflective display with very large viewing angle and perfect contrast.
- Silent operation.

### Common features

- ABS casing for indoor installation - IP40.
- Wall support supplied with anti-theft lock.
- Display mode: 12 h or 24 h.
- Temperature display: 0 to 50°C.
- 2 programming keys.
- Power by batteries (autonomy over 3 years) or low voltage power supply unit (15V)
- Permanent data saving.
- Time basis accuracy: 0,2 sec/day. Absolute time accuracy with optional radio synchronisation (France Inter or DCF).
- Automatic summer/winter time changeovers and perpetual calendar with multi-time zones.
- Optional low voltage wall support
  - Wall bracket integrating a low voltage 6/24V input to power clocks permanently without batteries.
  - The 230V power supply can be associated to the wall bracket 6-24V in order to power up to 30 slave clocks.

### Particular features

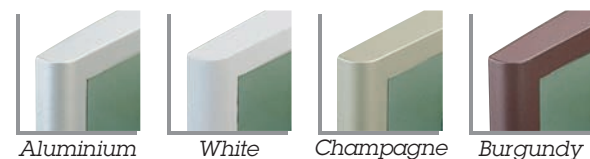
*Cristalys Date/Ellipse*

- Multi languages support (up to 18).

*Cristalys 14*

- Display of indoor temperature in °C or °F. Date or year fixed display or week number.

### 4 casing colours



*Cristalys 7* Digit height 7 cm



Possibility for fixed or alternate display (2 choices)



24 H time display mode



12 H time display mode



Numerical date or week number

*Cristalys 14* Digit height 14 cm



Possibility for fixed or alternate display (2 choices)



12 H or 24 H time display



Temperature display



Numerical date or year

*Cristalys Ellipse* Digit height 6 cm



Possibility for fixed or alternate display (4 choices)



12 H or 24 H time display and temperature or day/week number



Multilingual or numerical date



Numerical date



Day and week number



7 character text

*Cristalys Date* Digit height 7 cm



Possibility for fixed or alternate display  
Central display (2 choices), lower display (2 choices)



Indoor temperature



Site or city name



Day countdown



Multilingual or numerical date



Day or week number



Second counter

### Autonomy over 3 years



Power supply with batteries. An ECO function provides an energy saving and offers up to 20 % extra life (display is switched off from 11 PM to 6 AM).

	CRISTALYS 7	CRISTALYS 14	CRISTALYS ELLIPSE	CRISTALYS DATE
Digit height	70 mm	140 mm	Digit 60 mm Letter 40 mm	Digit 70 mm Letter 50 mm
Readability	30	60	25	30
Weight in kg	0,7	2	1,4	1,4

Versions:

- Independent quartz batteries operated,
- Radio synchronisation batteries operated,
- Impulse or AFNOR receiver batteries operated or TBT,
- DHF wireless receiver batteries operated,
- NTP PoE (Power over Ethernet) slave clock.

Option:

- wall support with TBT (6-24V DC) power supply

**Bodet**